

New Practibox™, stylish & easy to use



FLUSH-MOUNTING DISTRIBUTION CABINETS
FOR LIVING AREAS AND WORKPLACES

Stylish & easy to use



Practibox flush-mounting distribution cabinets blend perfectly into living areas or the workplace with their white finish and clear windows.

Thanks to the reversible faceplate, the door can be either right or left-opening. It can be fitted with a key lock.

These additional features increase the added value of your projects.



The reversible faceplate means the door can open to the left or right, thus offering maximum flexibility during installation on site.

Simple selection

1 catalogue number

= 1 complete cabinet:

Flush-mounting masonry
box, chassis and faceplate
with reversible door

Cat. No. 6011 10
Cabinet with 1 row of 6 modules



Cat. No. 6011 11
Cabinet with 1 row of 8 modules



Cat. No. 6011 12
Cabinet with 1 row of 12 modules



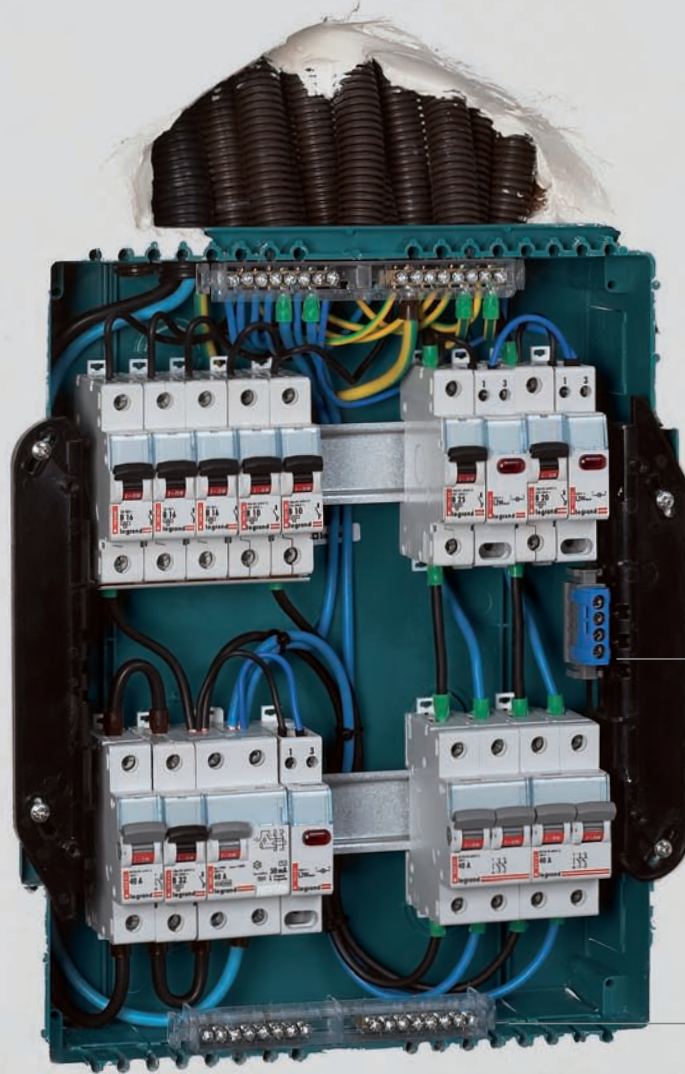
Cat. No. 6011 13
Cabinet with 2 rows of 12 modules (24 modules)



Cat. No. 6011 14
Cabinet with 3 rows of 12 modules (36 modules)



Easy wiring



Ease of installation due to terminal blocks which can be installed at the top, bottom or on the sides, between the rails, and directly on the flush-mounting box.



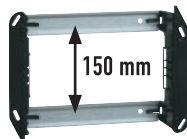
More space available between the rails, terminal blocks installed on the flush-mounting box at the top,

bottom or even between the rails. Cabinet faceplate fixes easily on the flush-mounting box thanks to recessed

grooves. Key features for easier installation.



Flush-mounting masonry box with integrated slots for the terminal blocks



Chassis with vertical adjustment. Corrects the level of a flush-mounting box. Space between the rails 150 mm



Cabinet faceplate and door with recessed grooves at the back to assist fixing on the box

Practibox™ flush-mounting distribution cabinets

6 to 36 modules



6011 11



6011 14

IP 40 - IK 07 with door
Class II
Conform to standard IEC 439
Reversible faceplate
Box for masonry
White RAL 9003
Supplied without terminal block

Pack	Cat.Nos	Terminal shield boxes
1/10	6011 10	1 row of 6 modules
1/10	6011 11	1 row of 8 modules
1/5	6011 12	1 row of 12 modules
1	6011 13	2 rows of 12 modules
1	6011 14	3 rows of 12 modules

Accessories

Blanking plate

Separable into modules or 1/2 modules
5 modules - white

20 016 60

Terminal blocks

Neutral and earth 2 x 8 holes

10 6012 90

Key lock

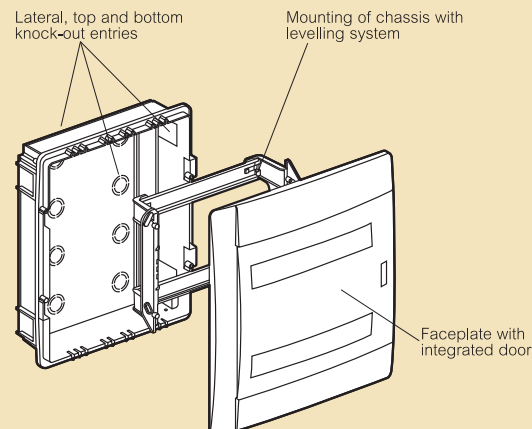
Key lock n° 850
Only for 2 and 3 rows distribution cabinets

1 019 66

IP 2X terminal blocks (please consult us)

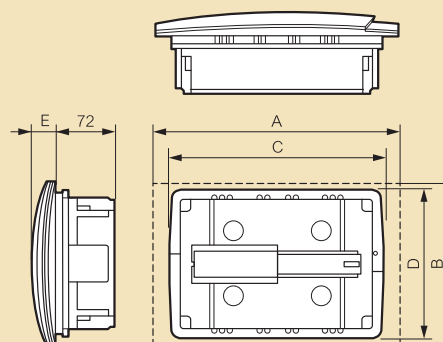
Practibox™ flush-mounting distribution cabinets

6 to 36 modules



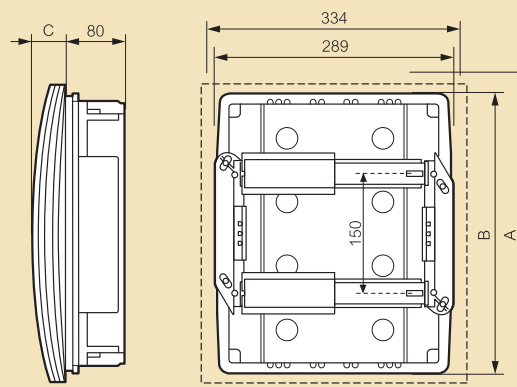
Dimensions

Cabinets 6, 8 and 12 modules



	Number of modules		
	6 mod.	8 mod.	12 mod.
A	230	266	334
B	186	188	225
C	208	244	287
D	180	180	208
E	27	27	31

Cabinets 24 and 36 modules



	Number of modules	
	24 mod.	36 mod.
A	376	526
B	358	508
C	40	42



**World Headquarters and
International Department
87045 LIMOGES CEDEX FRANCE**

☎ : + 33 5 55 06 87 87
Fax : + 33 5 55 06 74 55
www.legrandgroup.com